

CATALOGO GENERALE 2017/18
General Catalogue 2017/18

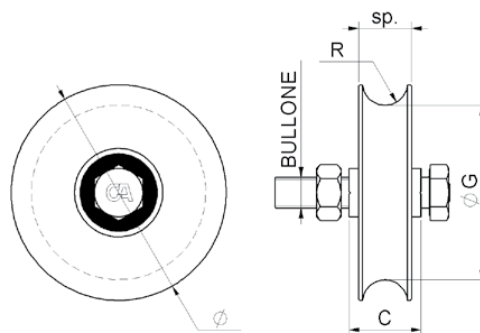


ACCESSORI CANCELLI SCORREVOLI
Sliding Gates Accessories

art. 400

Ruota 1 cuscinetto gola Tonda
Wheel Round groove 1 bearing
колесо круглый вырез
1 подшипник

Versione INOX/Stainless steel art.400IX pag. 190

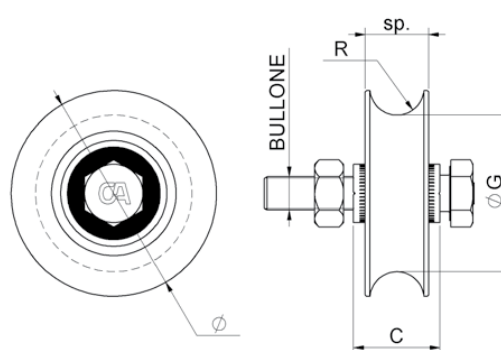


cod.	Ø	pz/pcs	C	ØG	sp	R	bullone	cusc	binario	portata
400.40	40	12	16	Ø33	12	4,5	M8x30	1	-	60 kg.
400.50	50	12	16	Ø40	13	4,5	M8x30	1	-	80 kg.
400.60/10	60/10	12	24	Ø48	17	5,3	M10x45	1	-	100 kg.
400.60/16	60/16	12	24	Ø48	17	8,3	M10x45	1	art. 902 Ø16	100 kg.
400.70/16	70/16	6	33	Ø54	20	8,3	M14x70	1	art. 902 Ø16	190 kg.
400.80/16	80/16	6	33	Ø64	20	8,3	M14x70	1	art. 902 Ø16	200 kg.
400.80/20	80/20	6	33	Ø59	24	10,3	M14x70	1	art. 902 Ø20	200 kg.
400.90/16	90/16	6	33	Ø74	21	8,3	M14x70	1	art. 902 Ø16	210 kg.
400.90/20	90/20	6	33	Ø69	24	10,3	M14x70	1	art. 902 Ø20	210 kg.
400.100/16	100/16	6	33	Ø84	21	8,3	M14x70	1	art. 902 Ø16	230 kg.
400.100/20	100/20	6	33	Ø79	24	10,3	M14x70	1	art. 902 Ø20	230 kg.
400.120	120	4	33	Ø99	24	10,3	M14x70	1	art. 902 Ø20	250 kg.
400.140	140	4	43	Ø117	24	10,3	M16x70	1	art. 902 Ø20	280 kg.
400.160	160	2	43	Ø137	25	10,3	M16x70	1	art. 902 Ø20	300 kg.
400.200	200	2	43	Ø177	25	10,3	M16x70	1	art. 902 Ø20	340 kg.

art. 400 NY

Ruota nylon 1 cuscinetto gola tonda
Nylon wheel round groove 1 bearing
Найлон колесо круглый
вырез 1 подшипник

Versione INOX/Stainless steel art.400NYIX pag. 190



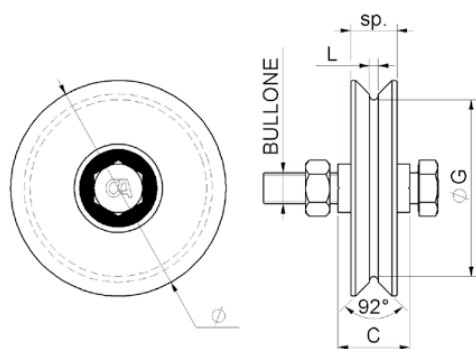
cod.	Ø	pz/pcs	C	ØG	sp	R	bullone	cusc	binario	portata
400NY.80/16	80/16	6	33	Ø64	24	8,3	M14x70	1	art. 902 Ø16	60 kg.
400NY.80/20	80/20	6	33	Ø59	24	10,3	M14x70	1	art. 902 Ø20	70 kg.
400NY.100/20	100/20	6	33	Ø79	24	10,3	M14x70	1	art. 902 Ø20	80 kg.



ACCESSORI CANCELLI SCORREVOLI
Sliding Gates Accessories

art. 401

Ruota 1 cuscinetto gola Y
Wheel Y groove 1 bearing
колесо у вырез 1 подшипник

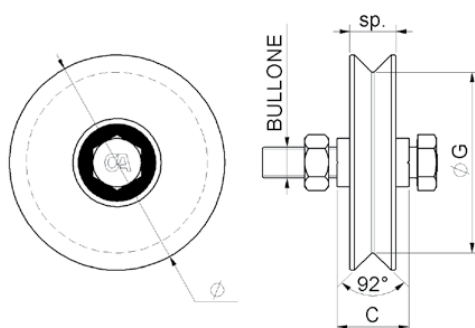


cod.	Ø	pz/pcs	C	ØG	L	sp	bullone	cusc	binario	portata
401.40	40	12	16	Ø33	3	12	M8x30	1	-	60 kg.
401.50	50	12	16	Ø37	4	13	M8x30	1	-	80 kg.
401.60	60	12	24	Ø44	4	17	M10x45	1	-	100 kg.
401.70	70	6	33	Ø50	4	20	M14x70	1	art. 906	190 kg.
401.80	80	6	33	Ø60	4	20	M14x70	1	art. 906	200 kg.
401.90	90	6	33	Ø70	4	21	M14x70	1	art. 906	210 kg.
401.100	100	6	33	Ø80	4	21	M14x70	1	art. 906	230 kg.
401.120	120	4	33	Ø98	4	24	M14x70	1	art. 906	250 kg.
401.140	140	4	43	Ø116	4	24	M16x70	1	art. 906	280 kg.
401.160	160	2	43	Ø136	4	25	M16x70	1	art. 906	300 kg.
401.200	200	2	43	Ø176	4	25	M16x70	1	art. 906	340 kg.

art. 402

Ruota 1 cuscinetto gola V
Wheel V groove 1 bearing
колесо v вырез 1 подшипник

Versione INOX/Stainless steel art.402IX pag. 191



cod.	Ø	pz/pcs	C	ØG	sp	bullone	cusc	binario	portata
402.40	40	12	16	Ø33	12	M8x30	1	-	60 kg.
402.50	50	12	16	Ø39	13	M8x30	1	-	80 kg.
402.60	60	12	24	Ø46	17	M10x45	1	-	100 kg.
402.70	70	6	33	Ø52	20	M14x70	1	art. 906	190 kg.
402.80	80	6	33	Ø62	20	M14x70	1	art. 906	200 kg.
402.90	90	6	33	Ø72	21	M14x70	1	art. 906	210 kg.
402.100	100	6	33	Ø82	21	M14x70	1	art. 906	230 kg.
402.120	120	4	33	Ø100	24	M14x70	1	art. 906	250 kg.
402.140	140	4	43	Ø118	24	M16x70	1	art. 906	280 kg.
402.160	160	2	43	Ø138	25	M16x70	1	art. 906	300 kg.
402.200	200	2	43	Ø178	25	M16x70	1	art. 906	340 kg.

CATALOGO GENERALE 2017/18
General Catalogue 2017/18

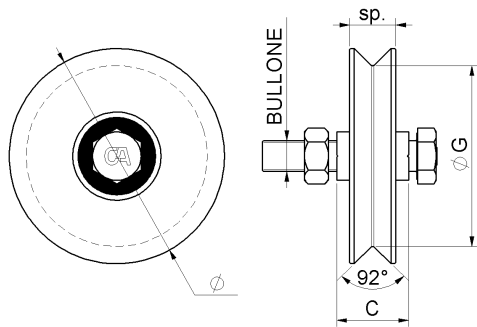


ACCESSORI CANCELLI SCORREVOLI
Sliding Gates Accessories

art. 402 NY

Ruota nylon 1 cuscinetto gola V
Nylon wheel V groove 1 bearing
Найлон колесо круглый v
вырез 1 подшипник

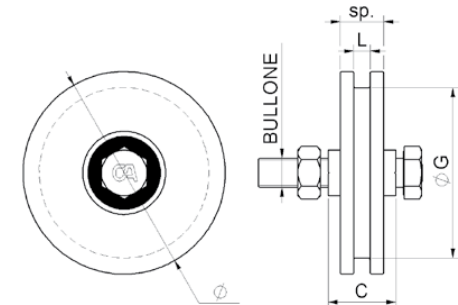
Versione INOX/Stainless steel art.402NYIX pag. 191



cod.	Ø	pz/pcs	C	ØG	sp	bullone	cusc	binario	portata
402NY.80	80	6	33	Ø62	24	M14x70	1	art.906	50 kg.
402NY.100	100	6	33	Ø82	24	M14x70	1	art.906	50 kg.

art. 403

Ruota 1 cuscinetto gola H
Wheel H groove 1 bearing
колесо h вырез 1 подшипник

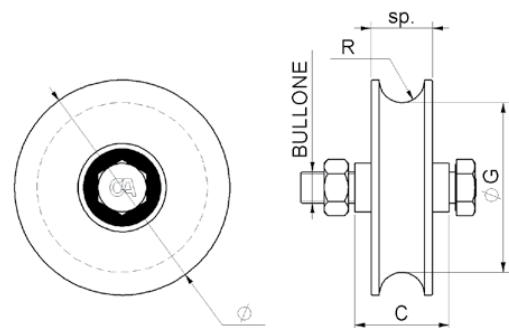


cod.	Ø	pz/pcs	C	ØG	L	sp	bullone	cusc	portata
403.40	40	12	16	Ø32	6	12	M8x30	1	60 kg.
403.50	50	12	16	Ø40	6	13	M8x30	1	80 kg.
403.60	60	12	24	Ø44	8	17	M10x45	1	100 kg.
403.70	70	6	33	Ø52	8	20	M14x70	1	190 kg.
403.80	80	6	33	Ø62	8	20	M14x70	1	200 kg.
403.90	90	6	33	Ø72	8	21	M14x70	1	210 kg.
403.100	100	6	33	Ø82	8	21	M14x70	1	230 kg.
403.120	120	4	33	Ø98	16	24	M14x70	1	250 kg.
403.140	140	4	43	Ø118	16	24	M16x70	1	280 kg.
403.160	160	2	43	Ø138	16	25	M16x70	1	300 kg.
403.200	200	2	43	Ø178	16	25	M16x70	1	340 kg.

art. 405

Ruota 2 cuscinetti gola Tonda
Wheel Round groove 2 bearings
колесо круглый вырез 2 подшипника

Versione INOX/Stainless steel art.405IX pag. 191



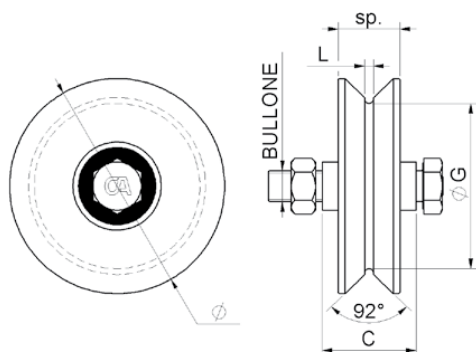
cod.	Ø	pz/pcs	C	ØG	sp	R	bullone	cusc	binario	portata
405.100x40	100 Tub. 40	6	33	Ø77	28	10,3	M14x70	2	art. 902 Ø20	410 kg.
405.100x50	100 Tub. 50	6	43	Ø77	28	10,3	M14x70	2	art. 902 Ø20	410 kg.
405.120x40	120 Tub. 40	6	33	Ø97	28	10,3	M14x70	2	art. 902 Ø20	430 kg.
405.120x50	120 Tub. 50	6	43	Ø97	28	10,3	M14x70	2	art. 902 Ø20	430 kg.
405.140	140 Tub. 50	4	43	Ø117	32	10,3	M16x70	2	art. 902 Ø20	550 kg.
405.160	160 Tub. 50	2	43	Ø137	32	10,3	M16x70	2	art. 902 Ø20	570 kg.
405.200	200 Tub. 50	2	43	Ø177	32	10,3	M16x70	2	art. 902 Ø20	600 kg.



ACCESSORI CANCELLI SCORREVOLI
Sliding Gates Accessories

art. 406

Ruota 2 cuscinetti gola Y
Wheel Y groove 2 bearings
колесо у вырез 2 подшипника

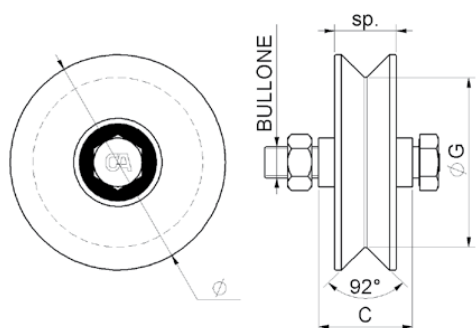


cod.	Ø	pz/pcs	C	ØG	L	sp	bullone	cusc	binario	portata
406.100x40	100 Tub. 40	6	33	Ø75	4	28	M14x70	2	art. 906	410 kg.
406.100x50	100 Tub. 50	6	43	Ø75	4	28	M14x70	2	art. 906	410 kg.
406.120x40	120 Tub. 40	6	33	Ø95	4	28	M14x70	2	art. 906	430 kg.
406.120x50	120 Tub. 50	6	43	Ø95	4	28	M14x70	2	art. 906	430 kg.
406.140	140 Tub. 50	4	43	Ø115	4	32	M16x70	2	art. 906	550 kg.
406.160	160 Tub. 50	2	43	Ø135	4	32	M16x70	2	art. 906	570 kg.
406.200	200 Tub. 50	2	43	Ø175	4	32	M16x70	2	art. 906	600 kg.

art. 407

Ruota 2 cuscinetti gola V
Wheel V groove 2 bearings
колесо v вырез 2 подшипника

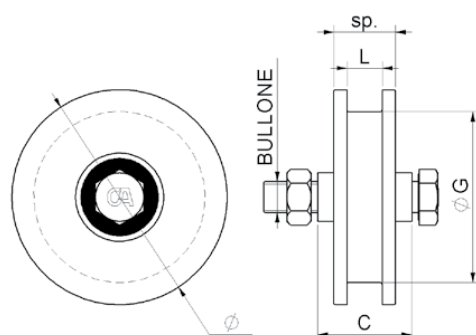
Versione INOX/Stainless steel art.407IX pag. 192



cod.	Ø	pz/pcs	C	ØG	sp	bullone	cusc	binario	portata
407.100x40	100 Tub. 40	6	33	Ø77	28	M14x70	2	art. 906	410 kg.
407.100x50	100 Tub. 50	6	43	Ø77	28	M14x70	2	art. 906	410 kg.
407.120x40	120 Tub. 40	6	33	Ø97	28	M14x70	2	art. 906	430 kg.
407.120x50	120 Tub. 50	6	43	Ø97	28	M14x70	2	art. 906	430 kg.
407.140	140 Tub. 50	4	43	Ø117	32	M16x70	2	art. 906	550 kg.
407.160	160 Tub. 50	2	43	Ø137	32	M16x70	2	art. 906	570 kg.
407.200	200 Tub. 50	2	43	Ø177	32	M16x70	2	art. 906	600 kg.

art. 408

Ruota 2 cuscinetti gola H
Wheel H groove 2 bearings
колесо h вырез 2 подшипника



cod.	Ø	pz/pcs	C	ØG	L	sp	bullone	cusc	portata
408.100x40	100 Tub. 40	6	33	Ø77	16	28	M14x70	2	410 kg.
408.100x50	100 Tub. 50	6	43	Ø77	16	28	M14x70	2	410 kg.
408.120x40	120 Tub. 40	6	33	Ø97	21	28	M14x70	2	430 kg.
408.120x50	120 Tub. 50	6	43	Ø97	21	28	M14x70	2	430 kg.
408.140	140 Tub. 50	4	43	Ø117	21	32	M16x70	2	550 kg.
408.160	160 Tub. 50	2	43	Ø137	21	32	M16x70	2	570 kg.
408.200	200 Tub. 50	2	43	Ø177	21	32	M16x70	2	600 kg.

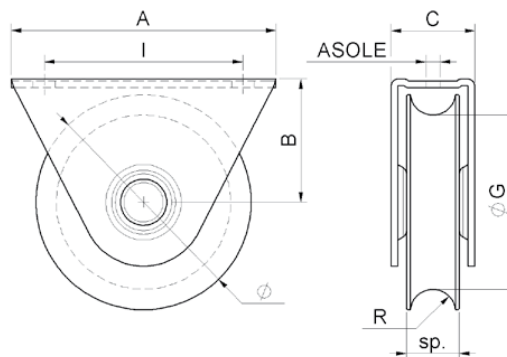
CATALOGO GENERALE 2017/18
General Catalogue 2017/18



ACCESSORI CANCELLI SCORREVOLI
Sliding Gates Accessories

art. 410

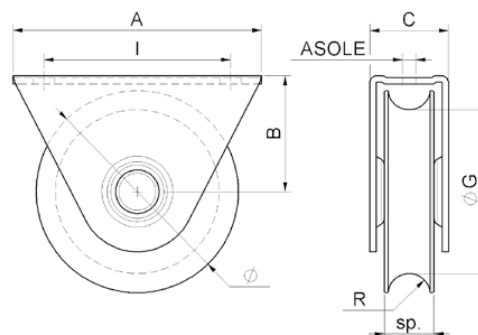
Ruota 1 cuscinetto gola Tonda
supporto cavalletto
Wheel Round groove 1 bearing
w/outside support
колесо с внешней опорой
круглый вырез 1 подшипник



cod.	Ø	pz/pcs	A	B	C	ØG	I	asole	sp	R	cusc	binario	portata
410.60/10	60/10	12	80	36	24	Ø48	60	6,5x10	17	5,3	1	-	100 kg.
410.60/16	60/16	12	80	36	24	Ø48	60	6,5x10	17	8,3	1	art. 902 Ø16	100 kg.
410.80/16	80/16	6	120	48	37	Ø64	90	8,5x12	24	8,3	1	art. 902 Ø16	200 kg.
410.80/20	80/20	6	120	48	37	Ø59	90	8,5x12	24	10,3	1	art. 902 Ø20	200 kg.
410.100/16	100/16	6	120	56	38	Ø84	90	8,5x12	24	8,3	1	art. 902 Ø16	230 kg.
410.100/20	100/20	6	120	56	38	Ø79	90	8,5x12	24	10,3	1	art. 902 Ø20	230 kg.
410DC.100	100/DC	6	120	56	38	Ø77	90	8,5x12	28	10,3	2	art. 902 Ø20	410 kg.

art. 410 NY

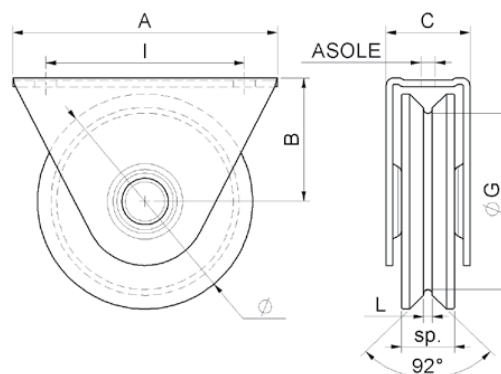
Ruota nylon 1 cuscinetto gola
Tonda supporto cavalletto
Nylon Wheel Round groove 1
bearing w/outside support
Найлон колесо с внешней
опорой круглый вырез 1
подшипник



cod.	Ø	pz/pcs	A	B	C	ØG	I	asole	sp	R	cusc	binario	portata
410NY.80/16	80/16	6	120	48	37	Ø64	90	8,5x12	24	8,3	1	art. 902 Ø16	60 kg.
410NY.80/20	80/20	6	120	48	37	Ø59	90	8,5x12	24	10,3	1	art. 902 Ø20	70 kg.
410NY.100/20	100/20	6	120	56	38	Ø79	90	8,5x12	24	10,3	1	art. 902 Ø20	80 kg.

art. 411

Ruota 1 cuscinetto gola Y supporto cavalletto
Wheel Y groove 1 bearing with outside support
колесо с внешней опорой у
вырез 1 подшипник

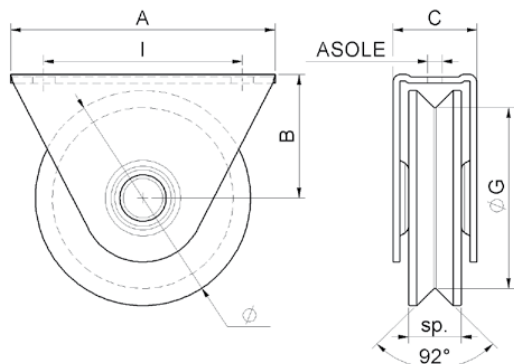


cod.	Ø	pz/pcs	A	B	C	ØG	L	I	asole	sp	cusc	binario	portata
411.60	60	12	80	36	24	Ø44	4	60	6,5x10	17	1	-	100 kg.
411.80	80	6	120	48	37	Ø60	4	90	8,5x12	24	1	art. 906	200 kg.
411.100	100	6	120	56	38	Ø80	4	90	8,5x12	24	1	art. 906	230 kg.
411DC.100	100/DC	6	120	56	38	Ø75	4	90	8,5x12	28	2	art. 906	410 kg.



ACCESSORI CANCELLI SCORREVOLI
Sliding Gates Accessories

art. 412

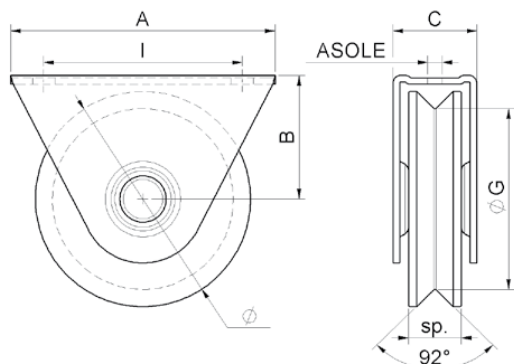


Ruota 1 cuscinetto gola V supporto cavalletto
Wheel V groove 1 bearing with outside support
колесо с внешней опорой в вырез 1 подшипник



cod.	Ø	pz/pcs	A	B	C	ØG	I	asole	sp	cus	binario	portata
412.60	60	12	80	36	24	Ø46	60	6,5x10	17	1	-	100 kg.
412.80	80	6	120	48	37	Ø62	90	8,5x12	24	1	art. 906	200 kg.
412.100	100	6	120	56	38	Ø82	90	8,5x12	24	1	art. 906	230 kg.
412DC.100	100/DC	6	120	56	38	Ø77	90	8,5x12	28	2	art. 906	410 kg.

art. 412 NY

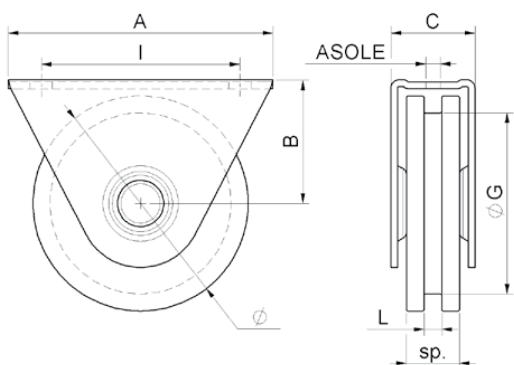


Ruota nylon 1 cuscinetto gola V supporto cavalletto
Nylon Wheel V groove 1 bearing with outside support
Найлон колесо с внешней опорой в вырез 1 подшипник



cod.	Ø	pz/pcs	A	B	C	ØG	I	asole	sp	cus	binario	portata
412NY.80	80	6	120	48	37	Ø62	90	8,5x12	24	1	art. 906	60 kg.
412NY.100	100	6	120	56	38	Ø82	90	8,5x12	24	1	art. 906	70 kg.

art. 413



Ruota 1 cuscinetto gola H supporto cavalletto
Wheel H groove 1 bearing with outside support
колесо с внешней опорой h вырез 1 подшипник



cod.	Ø	pz/pcs	A	B	C	ØG	L	I	asole	sp	cus	portata
413.60	60	12	80	36	24	Ø44	8	60	6,5x10	17	1	100 kg.
413.80	80	6	120	48	37	Ø62	8	90	8,5x12	24	1	200 kg.
413.100	100	6	120	56	38	Ø82	8	90	8,5x12	24	1	230 kg.
413DC.100	100/DC	6	120	56	38	Ø77	16	90	8,5x12	28	2	410 kg.

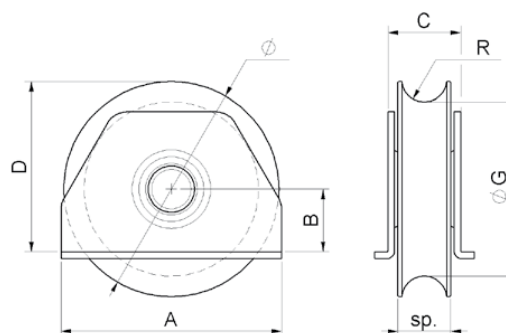
CATALOGO GENERALE 2017/18
General Catalogue 2017/18

ACCESSORI CANCELLI SCORREVOLI

Sliding Gates Accessories

art. 415

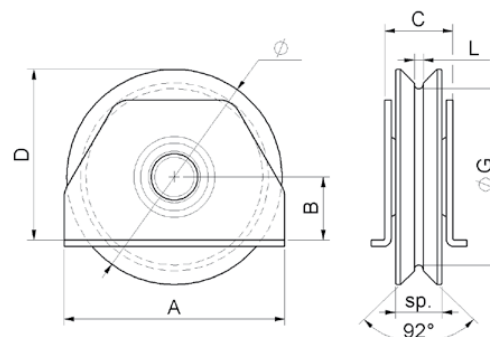
Ruota 1 cuscinetto gola Tonda supporto laterale
Wheel Round groove 1 bearing with side support
колесо с боковой опорой
круглый вырез 1 подшипник



cod.	Ø	pz/pcs	A	B	C	D	ØG	sp	R	cusc	binario	portata
415.60/10	60/10	12	62	21	24	51	Ø48	17	5,3	1	-	100 kg.
415.60/16	60/16	12	62	21	24	51	Ø48	17	8,3	1	902-904 Ø16	100 kg.
415.70/16	70/16	6	80	19	33	54	Ø54	20	8,3	1	902-904 Ø16	190 kg.
415.80/16	80/16	6	80	19	33	59	Ø64	20	8,3	1	902-904 Ø16	200 kg.
415.80/20	80/20	6	80	19	33	59	Ø59	24	10,3	1	902-904 Ø20	200 kg.
415.90/16	90/16	6	100	28,5	33	72,5	Ø74	21	8,3	1	902-904 Ø16	210 kg.
415.90/20	90/20	6	100	28,5	33	72,5	Ø69	24	10,3	1	902-904 Ø20	210 kg.
415.100/16	100/16	6	100	28,5	33	78,5	Ø84	21	8,3	1	902-904 Ø16	230 kg.
415.100/20	100/20	6	100	28,5	33	78,5	Ø79	24	10,3	1	902-904 Ø20	230 kg.
415.120	120	6	120	38	33	98	Ø99	24	10,3	1	902-904 Ø20	250 kg.
415.140	140	4	140	48,5	33	118,5	Ø117	24	10,3	1	902-904 Ø20	280 kg.

art. 416

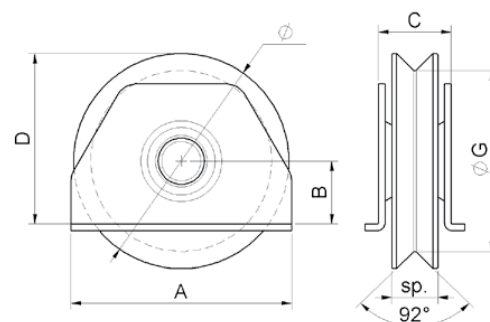
Ruota 1 cuscinetto gola Y supporto laterale
Wheel Y groove 1 bearing with side support
колесо с боковой опорой
у вырез 1 подшипник



cod.	Ø	pz/pcs	A	B	C	D	ØG	L	sp	cusc	binario	portata
416.60	60	12	68	21	24	51	Ø44	4	17	1	-	100 kg.
416.70	70	6	80	19	33	54	Ø50	4	20	1	art. 906	190 kg.
416.80	80	6	80	19	33	59	Ø60	4	20	1	art. 906	200 kg.
416.90	90	6	100	28,5	33	72,5	Ø70	4	21	1	art. 906	210 kg.
416.100	100	6	100	28,5	33	78,5	Ø80	4	21	1	art. 906	230 kg.
416.120	120	6	120	38	33	98	Ø98	4	24	1	art. 906	250 kg.
416.140	140	4	140	48,5	33	118,5	Ø116	4	24	1	art. 906	280 kg.

art. 417

Ruota 1 cuscinetto gola V supporto laterale
Wheel V groove 1 bearing with side support
колесо с боковой опорой
v вырез 1 подшипник

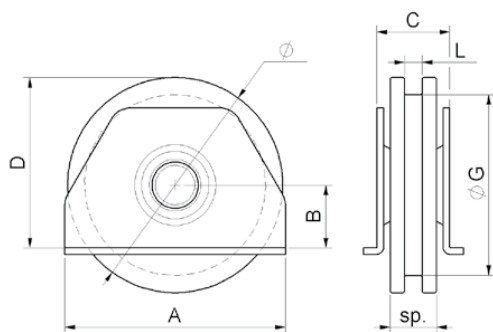


cod.	Ø	pz/pcs	A	B	C	D	ØG	sp	cusc	binario	portata
417.60	60	12	68	21	24	51	Ø46	17	1	-	100 kg.
417.70	70	6	80	19	33	54	Ø52	20	1	art. 906	190 kg.
417.80	80	6	80	19	33	59	Ø62	20	1	art. 906	200 kg.
417.90	90	6	100	28,5	33	72,5	Ø72	21	1	art. 906	210 kg.
417.100	100	6	100	28,5	33	78,5	Ø82	21	1	art. 906	230 kg.
417.120	120	6	120	38	33	98	Ø100	24	1	art. 906	250 kg.
417.140	140	4	140	48,5	33	118,5	Ø118	24	1	art. 906	280 kg.



ACCESSORI CANCELLI SCORREVOLI
Sliding Gates Accessories

art. 418

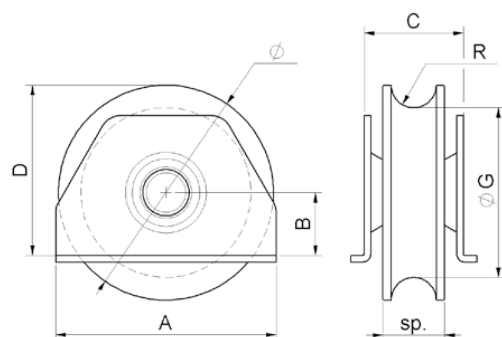


Ruota 1 cuscinetto gola H supporto laterale
Wheel H groove 1 bearing with side support
колесо с боковой опорой
h вырез 1 подшипник



cod.	Ø	pz/pcs	A	B	C	D	ØG	L	sp	cus	portata
418.60	60	12	68	21	24	51	Ø44	8	17	1	100 kg.
418.70	70	6	80	19	33	54	Ø52	8	20	1	190 kg.
418.80	80	6	80	19	33	59	Ø62	8	20	1	200 kg.
418.90	90	6	100	28,5	33	72,5	Ø72	8	21	1	210 kg.
418.100	100	6	100	28,5	33	78,5	Ø82	8	21	1	230 kg.
418.120	120	6	120	38	33	98	Ø98	16	24	1	250 kg.
418.140	140	4	140	48,5	33	118,5	Ø118	16	24	1	280 kg.

art. 420

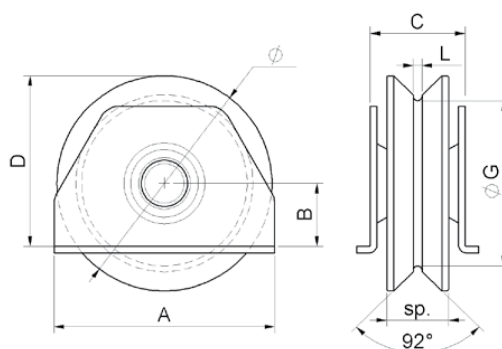


Ruota 2 cuscinetti gola Tonda supporto laterale
Wheel Round groove 2 bearings
with side support
колесо с боковой опорой
круглый вырез 2 подшипника



cod.	Ø	pz/pcs	A	B	C	D	ØG	sp	R	cus	binario	portata
420.100	100	4	100	28,5	43	78,5	Ø77	28	10,3	2	art. 902 Ø20	410 kg.
420.120	120	4	120	38	43	98	Ø97	28	10,3	2	art. 902 Ø20	430 kg.
420.140	140	4	140	48,5	44	118,5	Ø117	32	10,3	2	art. 902 Ø20	550 kg.

art. 421



Ruota 2 cuscinetti gola Y supporto laterale
Wheel Y groove 2 bearings with side support
колесо с боковой опорой
y вырез 2 подшипника



cod.	Ø	pz/pcs	A	B	C	D	ØG	sp	L	cus	binario	portata
421.100	100	4	100	28,5	43	78,5	Ø75	28	4	2	art. 906	410 kg.
421.120	120	4	120	38	43	98	Ø95	28	4	2	art. 906	430 kg.
421.140	140	4	140	48,5	44	118,5	Ø115	32	4	2	art. 906	550 kg.

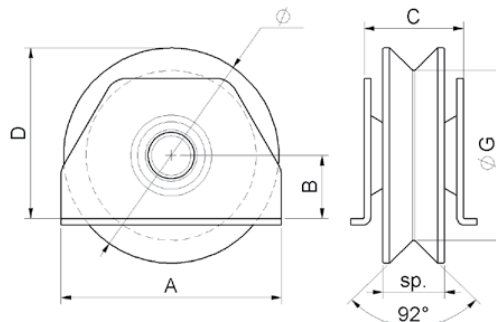
CATALOGO GENERALE 2017/18
General Catalogue 2017/18



ACCESSORI CANCELLI SCORREVOLI
Sliding Gates Accessories

art. 422

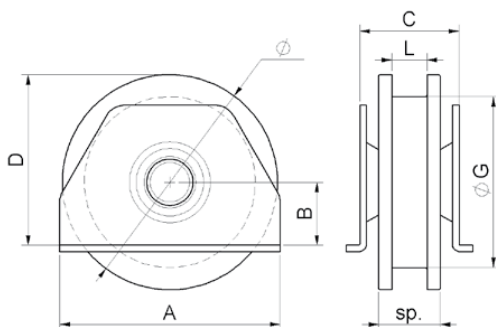
Ruota 2 cuscinetti gola V supporto laterale
Wheel V groove 2 bearings with side support
колесо с боковой опорой
v вырез 2 подшипника



cod.	Ø	pz/pcs	A	B	C	D	ØG	sp	cusc	binario	portata
422.100	100	4	100	28,5	43	78,5	Ø77	28	2	art. 906	410 kg.
422.120	120	4	120	38	43	98	Ø97	28	2	art. 906	430 kg.
422.140	140	4	140	48,5	44	118,5	Ø117	32	2	art. 906	550 kg.

art. 423

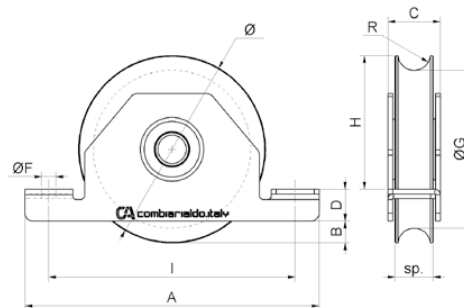
Ruota 2 cuscinetti gola H supporto laterale
Wheel H groove 2 bearings with side support
колесо с боковой опорой
h вырез 2 подшипника



cod.	Ø	pz/pcs	A	B	C	D	ØG	sp	L	cusc	portata
423.100	100	4	100	28,5	43	78,5	Ø77	28	16	2	410 kg.
423.120	120	4	120	38	43	98	Ø97	28	21	2	430 kg.
423.140	140	4	140	48,5	44	118,5	Ø117	32	21	2	550 kg.

art. 425

Ruota 1 cuscinetto gola Tonda supporto interno
Wheel Round groove 1 bearing
with inside support
колесо с внутренней опорой
круглый вырез 1 подшипник



cod.	Ø	pz/pcs	A	B	C	D	ØF	I	H	ØG	sp	R	cusc	binario	portata
425.60/10	60/10	6	110	7	24	15	Ø7	90	36	Ø48	17	5,25	1	-	100 kg.
425.60/16	60/16	6	110	7	24	15	Ø7	90	36	Ø48	17	8,3	1	art. 902 Ø16	100 kg.
425.70/16	70/16	6	135	7	33	17	Ø9	110	44	Ø54	20	8,3	1	art. 902 Ø16	190 kg.
425.80/16	80/16	6	135	12	33	17	Ø9	110	49	Ø64	20	8,3	1	art. 902 Ø16	200 kg.
425.80/20	80/20	6	135	12	33	17	Ø9	110	49	Ø59	24	10,3	1	art. 902 Ø20	200 kg.
425.90/16	90/16	6	155	9	33	18	Ø9	130	61	Ø74	21	8,3	1	art. 902 Ø16	210 kg.
425.90/20	90/20	6	155	9	33	18	Ø9	130	61	Ø69	24	10,3	1	art. 902 Ø20	210 kg.
425.100/16	100/16	6	155	14	33	18	Ø9	130	66	Ø84	21	8,3	1	art. 902 Ø16	230 kg.
425.100/20	100/20	6	155	14	33	18	Ø9	130	66	Ø79	24	10,3	1	art. 902 Ø20	230 kg.
425.120	120	6	185	14	32	20	Ø9	155	84	Ø99	24	10,3	1	art. 902 Ø20	250 kg.
425.140	140	4	205	15	32	22	Ø11	175	100	Ø117	24	10,3	1	art. 902 Ø20	280 kg.
425.160	160	2	225	20	37	24	Ø11	195	113	Ø137	25	10,3	1	art. 902 Ø20	300 kg.

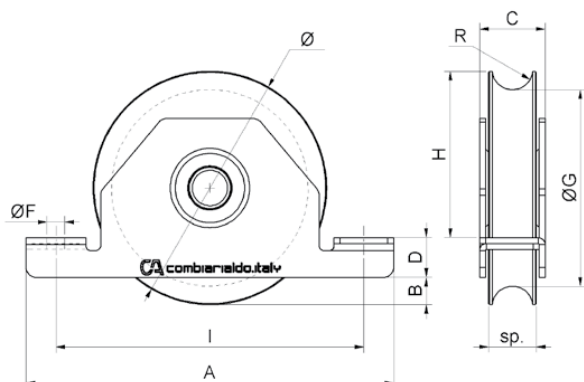


ACCESSORI CANCELLI SCORREVOLI
Sliding Gates Accessories

art. 425 NY

Ruota nylon 1 cuscinetto
gola tonda supporto interno
Nylon wheel round groove
1 bearing with inside support
Найлон колесо с внутренней опорой
круглый вырез 1 подшипник

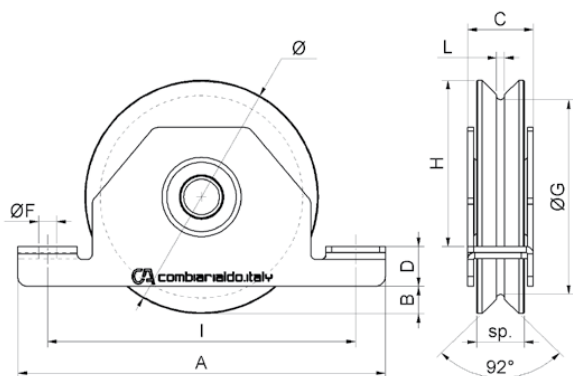
Versione INOX/Stainless steel art.425NYIX pag. 192



cod.	Ø	pz/pcs	A	B	C	D	ØF	I	H	ØG	sp	R	cusc	binario	portata
425NY.80/16	80/16	6	135	12	33	17	Ø9	110	49	Ø64	24	8,3	1	art. 902 Ø16	60 kg.
425NY.80/20	80/20	6	135	12	33	17	Ø9	110	49	Ø59	24	10,3	1	art. 902 Ø20	70 kg.
425NY.100/20	100/20	6	155	14	33	18	Ø9	130	66	Ø79	24	10,3	1	art. 902 Ø20	80 kg.

art. 426

Ruota 1 cuscinetto gola Y supporto interno
Wheel Y groove 1 bearing with inside support
колесо с внутренней опорой
у вырез 1 подшипник



cod.	Ø	pz/pcs	A	B	C	D	ØF	I	H	ØG	L	sp	cusc	binario	portata
426.60	60	12	110	7	24	15	Ø7	90	36	Ø44	4	17	1	-	100 kg.
426.70	70	6	135	7	33	17	Ø9	110	44	Ø50	4	20	1	art. 906	190 kg.
426.80	80	6	135	12	33	17	Ø9	110	49	Ø60	4	20	1	art. 906	200 kg.
426.90	90	6	155	9	33	18	Ø9	130	61	Ø70	4	21	1	art. 906	210 kg.
426.100	100	6	155	14	33	18	Ø9	130	66	Ø80	4	21	1	art. 906	230 kg.
426.120	120	6	185	14	32	20	Ø9	155	84	Ø98	4	24	1	art. 906	250 kg.
426.140	140	4	205	15	32	22	Ø11	175	100	Ø116	4	24	1	art. 906	280 kg.
426.160	160	2	225	20	37	24	Ø11	195	113	Ø136	4	25	1	art. 906	300 kg.

CATALOGO GENERALE 2017/18
General Catalogue 2017/18

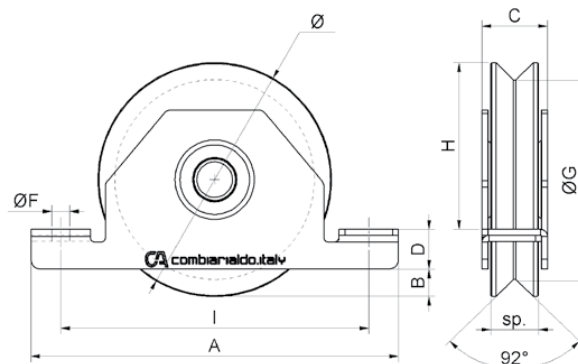


ACCESSORI CANCELLI SCORREVOLI
Sliding Gates Accessories

art. 427

Ruota 1 cuscinetto gola V supporto interno
Wheel V groove 1 bearing with inside support
колесо с внутренней опорой
в вырез 1 подшипник

Versione INOX/Stainless steel art.427IX pag. 193

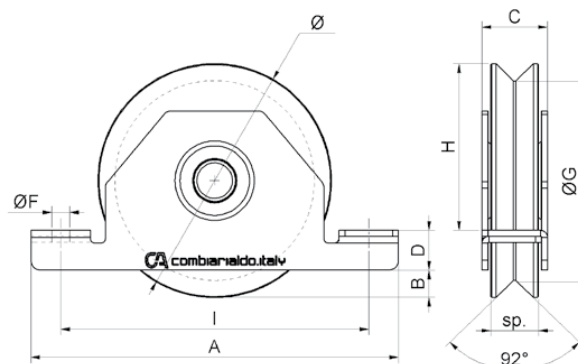


cod.	Ø	pz/pcs	A	B	C	D	ØF	I	H	ØG	sp	cusc	binario	portata
427.60	60	12	110	7	24	15	Ø7	90	36	Ø46	17	1	-	100 kg.
427.70	70	6	135	7	33	17	Ø9	110	44	Ø52	20	1	art. 906	190 kg.
427.80	80	4	135	12	33	17	Ø9	110	49	Ø62	20	1	art. 906	200 kg.
427.90	90	6	155	9	33	18	Ø9	130	61	Ø72	21	1	art. 906	210 kg.
427.100	100	6	155	14	33	18	Ø9	130	66	Ø82	21	1	art. 906	230 kg.
427.120	120	6	185	14	32	20	Ø9	155	84	Ø100	24	1	art. 906	250 kg.
427.140	140	4	205	15	32	22	Ø11	175	100	Ø118	24	1	art. 906	280 kg.
427.160	160	2	225	20	37	24	Ø11	195	113	Ø138	25	1	art. 906	300 kg.

art. 427 NY

Ruota nylon 1 cuscinetto gola V supporto interno
Nylon wheel V groove 1 bearing with inside support
Найлон колесо V вырез с
внутренней опорой с 1 подшипник

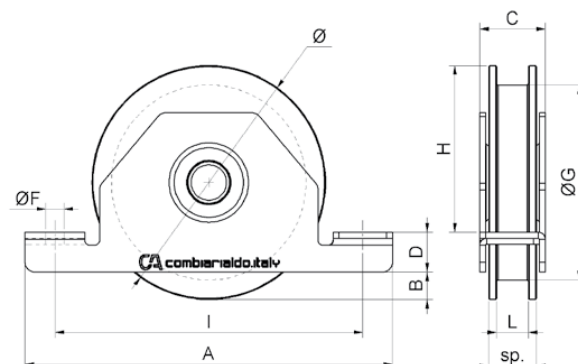
Versione INOX/Stainless steel art.427NYIX pag. 193



cod.	Ø	pz/pcs	A	B	C	D	ØF	I	H	ØG	sp	cusc	binario	portata
427NY.80	80	4	135	12	33	17	Ø9	110	49	Ø62	24	1	art. 906	60 kg.
427NY.100	100	6	155	14	33	18	Ø9	130	66	Ø82	24	1	art. 906	80 kg.

art. 428

Ruota 1 cuscinetto gola H supporto interno
Wheel H groove 1 bearing with inside support
колесо с внутренней опорой
h вырез 1 подшипник

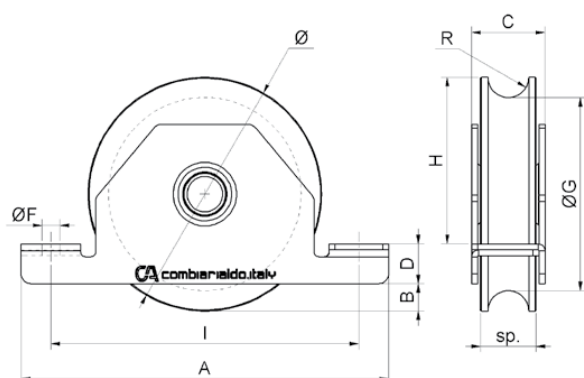


cod.	Ø	pz/pcs	A	B	C	D	ØF	I	H	ØG	L	sp	cusc	portata
428.60	60	12	110	7	24	15	Ø7	90	36	Ø44	8	17	1	100 kg.
428.70	70	6	135	7	33	17	Ø9	110	44	Ø52	8	20	1	190 kg.
428.80	80	4	135	12	33	17	Ø9	110	49	Ø62	8	20	1	200 kg.
428.90	90	6	155	9	33	18	Ø9	130	61	Ø72	8	21	1	210 kg.
428.100	100	6	155	14	33	18	Ø9	130	66	Ø82	8	21	1	230 kg.
428.120	120	6	185	14	32	20	Ø9	155	84	Ø98	16	24	1	250 kg.
428.140	140	4	205	15	32	22	Ø11	175	100	Ø118	16	24	1	280 kg.



ACCESSORI CANCELLI SCORREVOLI
Sliding Gates Accessories

art. 430



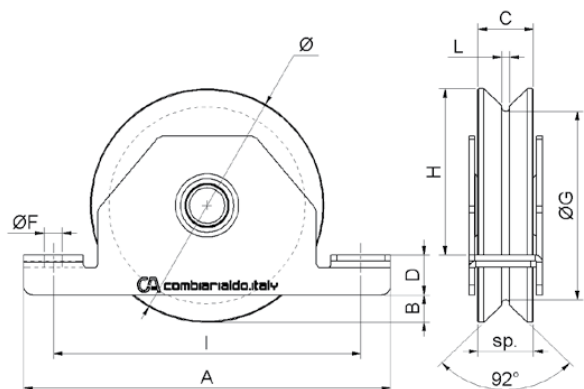
Ruota 2 cuscinetti gola Tonda supporto interno
Wheel Round groove 2 bearings
with inside support
колесо с внутренней опорой
круглый вырез 2 подшипника

Versione INOX/Stainless steel art.430IX pag. 193



cod.	Ø	pz/pcs	A	B	C	D	ØF	I	H	ØG	sp	R	cusc	binario	portata
430.90	90	6	155	9	33	18	Ø9	130	61	Ø71	24	10,3	2	art. 902 Ø20	390 kg.
430.100	100	6	155	14	33	18	Ø9	130	66	Ø77	24	10,3	2	art. 902 Ø20	410 kg.
430.120	120	4	185	14	37	20	Ø9	155	84	Ø97	28	10,3	2	art. 902 Ø20	430 kg.
430.140	140	4	205	15	42	22	Ø11	175	100	Ø117	32	10,3	2	art. 902 Ø20	550 kg.
430.160	160	2	225	20	42	24	Ø11	195	113	Ø137	32	10,3	2	art. 902 Ø20	630 kg.

art. 431

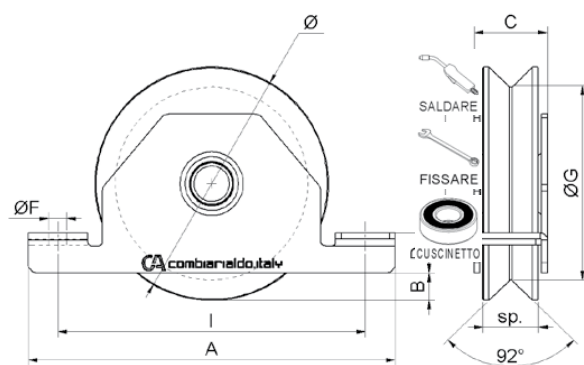


Ruota 2 cuscinetti gola Y supporto interno
Wheel Y groove 2 bearings with inside support
колесо с внутренней опорой
у вырез 2 подшипника



cod.	Ø	pz/pcs	A	B	C	D	ØF	I	H	ØG	L	sp	cusc	binario	portata
431.90	90	6	155	9	33	18	Ø9	130	61	Ø68	4	24	2	art. 906	390 kg.
431.100	100	6	155	14	33	18	Ø9	130	66	Ø75	4	24	2	art. 906	410 kg.
431.120	120	4	185	14	37	20	Ø9	155	84	Ø95	4	28	2	art. 906	430 kg.
431.140	140	4	205	15	42	22	Ø11	175	100	Ø115	4	32	2	art. 906	550 kg.
431.160	160	2	225	20	42	24	Ø11	195	113	Ø135	4	32	2	art. 906	630 kg.

art. 432



Ruota 2 cuscinetti gola V supporto interno
Wheel V groove 2 bearings with inside support
колесо с внутренней опорой
v вырез 2 подшипника

Versione INOX/Stainless steel art.432IX pag. 194

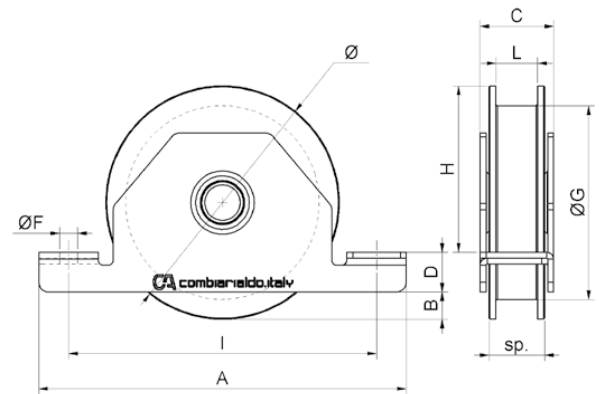


cod.	Ø	pz/pcs	A	B	C	D	ØF	I	H	ØG	sp	cusc	binario	portata
432.90	90	6	155	9	33	18	Ø9	130	61	Ø70	24	2	art. 906	390 kg.
432.100	100	6	155	14	33	18	Ø9	130	66	Ø77	24	2	art. 906	410 kg.
432.120	120	4	185	14	37	20	Ø9	155	84	Ø97	28	2	art. 906	430 kg.
432.140	140	4	205	15	42	22	Ø11	175	100	Ø117	32	2	art. 906	550 kg.
432.160	160	4	225	20	42	24	Ø11	195	113	Ø137	32	2	art. 906	630 kg.



art. 433

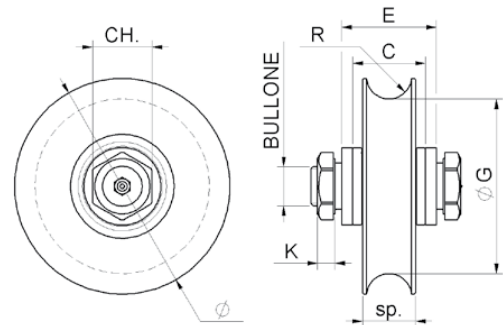
Ruota 2 cuscinetti gola H supporto interno
Wheel H groove 2 bearings with inside support
колесо с внутренней опорой
h вырез 2 подшипника



cod.	Ø	pz/pcs	A	B	C	D	ØF	I	H	ØG	L	sp	cusc	portata
433.90	90	6	155	9	33	18	Ø9	130	61	Ø68	16	24	2	390 kg.
433.100	100	6	155	14	33	18	Ø9	130	66	Ø78	16	24	2	410 kg.
433.120	120	4	185	14	37	20	Ø9	155	84	Ø98	21	28	2	430 kg.
433.140	140	4	205	15	42	22	Ø11	175	100	Ø118	21	32	2	550 kg.
433.160	160	4	225	20	42	24	Ø11	195	113	Ø138	21	32	2	630 kg.

art. 435

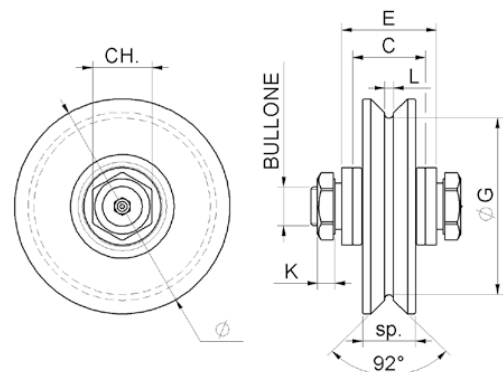
Ruota 1 cuscinetto gola Tonda con ingrassatore
Grease cup wheel Round groove 1 bearing
колесо с пресс-маслёнкой
круглый вырез 1 подшипник



cod.	Ø	pz/pcs	C	E	ØG	sp	R	CH	K	bullone	cusc	binario	portata
435.100	100	4	33	43	Ø79	24	10,3	Es.27	8	M18x60	1	art. 902 Ø20	380 kg.
435.120	120	4	33	43	Ø99	24	10,3	Es.27	8	M18x60	1	art. 902 Ø20	400 kg.
435.140	140	4	43	53	Ø117	25	10,3	Es.30	9	M20x70	1	art. 902 Ø20	670 kg.
435.160	160	2	43	53	Ø137	25	10,3	Es.30	9	M20x70	1	art. 902 Ø20	700 kg.
435.200	200	2	43	53	Ø177	25	10,3	Es.30	9	M20x70	1	art. 902 Ø20	750 kg.

art. 436

Ruota 1 cuscinetto gola Y con ingrassatore
Grease cup wheel Y groove 1 bearing
колесо с пресс-маслёнкой
y вырез 1 подшипник

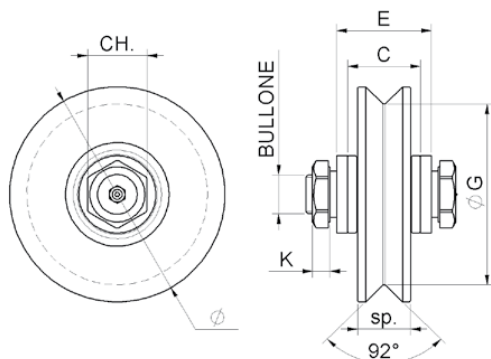


cod.	Ø	pz/pcs	C	E	ØG	L	sp	CH	K	bullone	cusc	binario	portata
436.100	100	4	33	43	Ø80	4	24	Es.27	8	M18x60	1	art. 906	380 kg.
436.120	120	4	33	43	Ø98	4	24	Es.27	8	M18x60	1	art. 906	400 kg.
436.140	140	4	43	53	Ø116	4	25	Es.30	9	M20x70	1	art. 906	670 kg.
436.160	160	2	43	53	Ø136	4	25	Es.30	9	M20x70	1	art. 906	700 kg.
436.200	200	2	43	53	Ø176	4	25	Es.30	9	M20x70	1	art. 906	750 kg.



ACCESSORI CANCELLI SCORREVOLI
Sliding Gates Accessories

art. 437

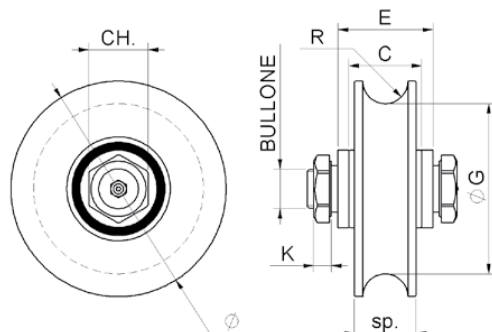


Ruota 1 cuscinetto gola V con ingrassatore
Grease cup wheel V groove 1 bearing
колесо с пресс-маслёнкой
в вырез 1 подшипник



cod.	Ø	pz/pcs	C	E	ØG	sp	CH	K	bullone	cusc	binario	portata
437.100	100	4	33	43	Ø82	24	Es.27	8	M18x60	1	art. 906	380 kg.
437.120	120	4	33	43	Ø100	24	Es.27	8	M18x60	1	art. 906	400 kg.
437.140	140	4	43	53	Ø118	25	Es.30	9	M20x70	1	art. 906	670 kg.
437.160	160	2	43	53	Ø138	25	Es.30	9	M20x70	1	art. 906	700 kg.
437.200	200	2	43	53	Ø178	25	Es.30	9	M20x70	1	art. 906	750 kg.

art. 440

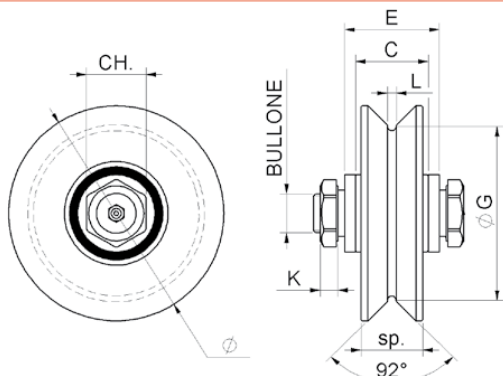


Ruota 2 cuscinetti gola Tonda con ingrassatore
Grease cup wheel Round groove 2 bearings
колесо с пресс-маслёнкой
круглый вырез 2 подшипника



cod.	Ø	pz/pcs	C	E	ØG	sp	R	CH	K	bullone	cusc	binario	portata
440.100	100	4	33	43	Ø77	28	10,3	Es.27	8	M18x60	2	art. 902 Ø20	560 kg.
440.120	120	4	33	43	Ø97	28	10,3	Es.27	8	M18x60	2	art. 902 Ø20	580 kg.
440.140	140	4	43	53	Ø117	32	10,3	Es.30	9	M20x70	2	art. 902 Ø20	920 kg.
440.140x80	140 Tub. 80	4	72	-	Ø117	32	10,3	Es.30	9	M20x90	2	art. 902 Ø20	920 kg.
440.160	160	2	43	53	Ø137	32	10,3	Es.30	9	M20x70	2	art. 902 Ø20	940 kg.
440.160x80	160 Tub. 80	2	72	-	Ø137	32	10,3	Es.30	9	M20x90	2	art. 902 Ø20	940 kg.
440.200	200	2	43	53	Ø177	32	10,3	Es.30	9	M20x70	2	art. 902 Ø20	980 kg.
440.200x80	200 Tub. 80	2	72	-	Ø177	32	10,3	Es.30	9	M20x90	2	art. 902 Ø20	980 kg.
440.250	250	1	73	-	Ø227	48	11,3	Es.36	11	M24x100	2	art. 902 Ø20	1450 kg.

art. 441



Ruota 2 cuscinetti gola Y con ingrassatore
Grease cup wheel Y groove 2 bearings
колесо с пресс-маслёнкой
у вырез 2 подшипника



cod.	Ø	pz/pcs	C	E	ØG	L	sp	CH	K	bullone	cusc	binario	portata
441.100	100	4	33	43	Ø75	4	28	Es.27	8	M18x60	2	art. 906	560 kg.
441.120	120	4	33	43	Ø95	4	28	Es.27	8	M18x60	2	art. 906	580 kg.
441.140	140	4	43	53	Ø115	4	32	Es.30	9	M20x70	2	art. 906	920 kg.
441.140x80	140 Tub. 80	4	72	-	Ø115	4	32	Es.30	9	M20x90	2	art. 906	920 kg.
441.160	160	2	43	53	Ø135	4	32	Es.30	9	M20x70	2	art. 906	940 kg.
441.160x80	160 Tub. 80	2	72	-	Ø135	4	32	Es.30	9	M20x90	2	art. 906	940 kg.
441.200	200	2	43	53	Ø175	4	32	Es.30	9	M20x70	2	art. 906	980 kg.
441.200x80	200 Tub. 80	2	72	-	Ø175	4	32	Es.30	9	M20x90	2	art. 906	980 kg.
441.250	250	1	73	-	Ø213	4	48	Es.36	11	M24x100	2	art. 906	1450 kg.

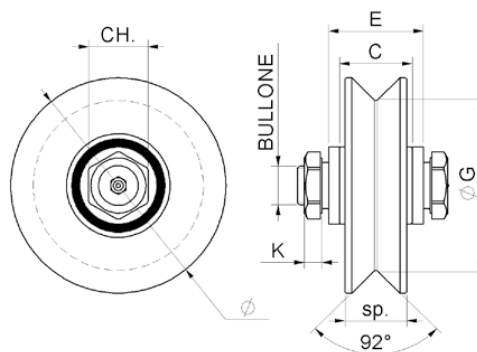
CATALOGO GENERALE 2017/18
General Catalogue 2017/18



ACCESSORI CANCELLI SCORREVOLI
Sliding Gates Accessories

art. 442

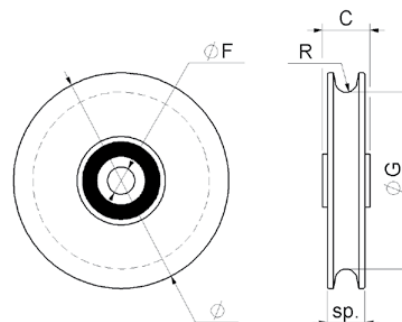
Ruota 2 cuscinetti gola V con ingrassatore
Grease cup wheel V groove 2 bearings
колесо с пресс-маслёнкой
в вырез 2 подшипника



cod.	Ø	pz/pcs	C	E	ØG	sp	CH	K	bullone	cusc	binario	portata
442.100	100	4	33	43	Ø77	28	Es.27	8	M18x60	2	art. 906	560 kg.
442.120	120	4	33	43	Ø97	28	Es.27	8	M18x60	2	art. 906	580 kg.
442.140	140	4	43	53	Ø117	32	Es.30	9	M20x70	2	art. 906	920 kg.
442.140x80	140 Tub. 80	4	72	-	Ø117	32	Es.30	9	M20x90	2	art. 906	920 kg.
442.160	160	2	43	53	Ø137	32	Es.30	9	M20x70	2	art. 906	940 kg.
442.160x80	160 Tub. 80	2	72	-	Ø137	32	Es.30	9	M20x90	2	art. 906	940 kg.
442.200	200	2	43	53	Ø177	32	Es.30	9	M20x70	2	art. 906	980 kg.
442.200x80	200 Tub. 80	2	72	-	Ø177	32	Es.30	9	M20x90	2	art. 906	980 kg.
442.250	250	1	73	-	Ø217	48	Es.36	11	M24x100	2	art. 906	1450 kg.

art. 445

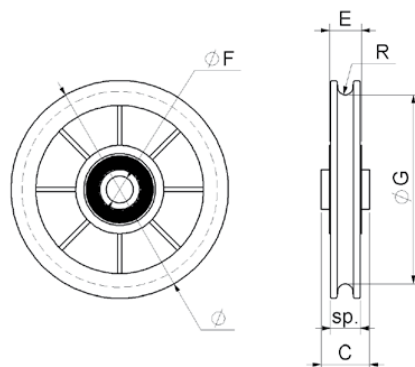
Ruota per fune
Rope wheel
канатный ролик



cod.	Ø	pz/pcs	C	ØF	ØG	sp	R	fune	cusc	portata
445.60	60	12	20	Ø10,5	Ø44	13	4	Ø6	1	100 kg.
445.80	80	12	20	Ø10,5	Ø60	13	4	Ø6	1	200 kg.
445.100	100	10	22	Ø12,5	Ø80	17	5	Ø8	1	230 kg.
445.120	120	4	22	Ø12,5	Ø100	17	5	Ø8	1	250 kg.

art. 445 NY

Ruota Nylon per fune
Nylon Rope wheel
Найлон канатный ролик



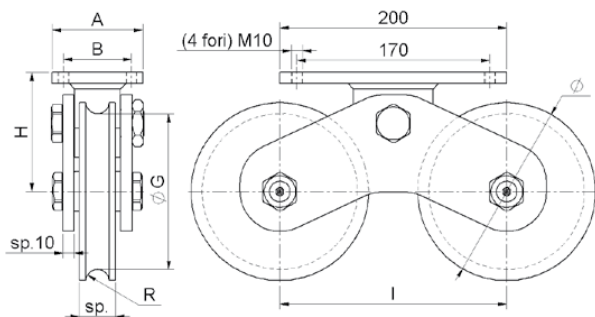
cod.	Ø	pz/pcs	C	E	ØF	ØG	sp	R	fune	cusc	portata
445NY.60	60	12	22	14,5	Ø10	Ø47,5	12,5	3,5	Ø6	1	60 kg.
445NY.80	80	12	22	14,5	Ø10	Ø66,5	13,5	3,5	Ø6	1	70 kg.
445NY.100	100	10	22	14,5	Ø10	Ø86	13,5	3,5	Ø6	1	80 kg.
445NY.120	120	4	22	19,5	Ø10	Ø101	16,5	4,5	Ø8	1	80 kg.



ACCESSORI CANCELLI SCORREVOLI
Sliding Gates Accessories

art. 600

Ruota doppia gola Tonda con bilanciere
Twin balance wheels Round groove 4 bearings
колесо двойное, круглый вырез,
4 подшипника



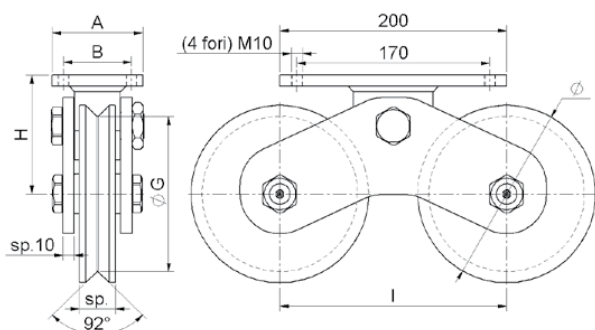
- SILDARE
- FISSARE
- CUSCINETTO
- INGRASSATORE



cod.	Ø	pz/pcs	A	B	H	I	ØG	sp	R	cus	rotazione	portata
600.120	120	2	70	50	90	165	Ø97	28	10,3	4	± 10°	1100 kg.
600.160	160	2	80	60	105	200	Ø137	32	10,3	4	± 10°	1800 kg.
600.200	200	2	80	60	125	250	Ø177	32	10,3	4	± 10°	1900 kg.

art. 602

Ruota doppia gola V con bilanciere
Twin balance wheels V groove 4 bearings
колесо двойное, v вырез,
4 подшипника



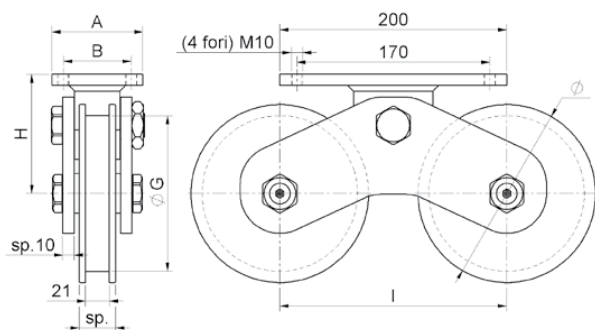
- SILDARE
- FISSARE
- CUSCINETTO
- INGRASSATORE



cod.	Ø	pz/pcs	A	B	H	I	ØG	sp	cus	rotazione	portata
602.120	120	2	70	50	90	165	Ø97	28	4	± 10°	1100 kg.
602.160	160	2	80	60	105	200	Ø137	32	4	± 10°	1800 kg.
602.200	200	2	80	60	125	250	Ø177	32	4	± 10°	1900 kg.

art. 603

Ruota doppia gola H con bilanciere
Twin balance wheels H groove 4 bearings
колесо двойное, h вырез,
4 подшипника



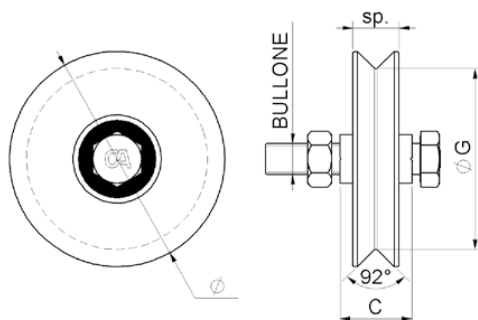
- SILDARE
- FISSARE
- CUSCINETTO
- INGRASSATORE



cod.	Ø	pz/pcs	A	B	H	I	ØG	sp	cus	rotazione	portata
603.120	120	2	70	50	90	165	Ø97	28	4	± 10°	1100 kg.
603.160	160	2	80	60	105	200	Ø137	32	4	± 10°	1800 kg.
603.200	200	2	80	60	125	250	Ø177	32	4	± 10°	1900 kg.

art. 402 IX

Ruota inox 1 cuscinetto gola V
Stainless steel wheel V groove 1 bearing
колесо v вырез 1 подшипник,
нержавеющая сталь



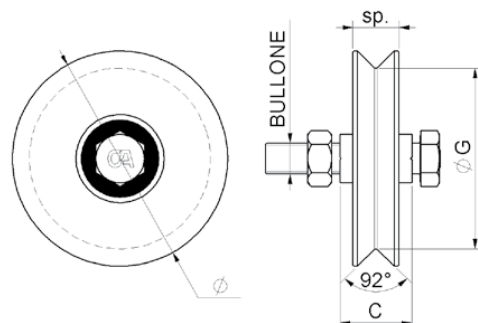
INOX



cod.	Ø	pz/pcs	C	ØG	sp	bullone	cusc	portata
402IX.60	60	6	24	Ø46	17	M10x45	1	100 kg.
402IX.80	80	6	33	Ø62	20	M14x70	1	200 kg.
402IX.90	90	6	33	Ø72	21	M14x70	1	210 kg.
402IX.100	100	6	33	Ø82	21	M14x70	1	230 kg.
402IX.120	120	4	33	Ø100	24	M14x70	1	250 kg.
402IX.140	140	4	43	Ø118	25	M16x70	1	280 kg.

art. 402 NYIX

Ruota nylon 1 cuscinetto gola V Inox
Nylon wheel V groove 1 bearing
with stainless steel bolt
Найлон колесо V вырез 1 подшипник
болт из нержавеющей стали



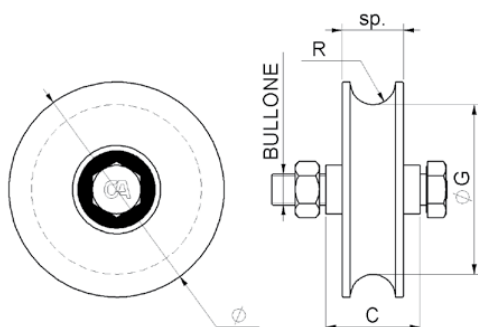
INOX



cod.	Ø	pz/pcs	C	ØG	sp	bullone	cusc	portata
402NYIX.80	80	6	33	Ø62	24	M14x70	1	60 kg.
402NYIX.100	100	6	33	Ø82	24	M14x70	1	80 kg.

art. 405 IX

Ruota inox 2 cuscinetti gola tonda
Stainless steel wheel round groove 2 bearings
колесо круглый вырез 2 подшипника,
нержавеющая сталь



INOX



cod.	Ø	pz/pcs	C	ØG	sp	R	bullone	cusc	binario	portata
405IX.100x40	100 Tub. 40	6	33	Ø77	28	10,3	M14x70	2	art. 902IX Ø20	410 kg.
405IX.100x50	100 Tub. 50	6	43	Ø77	28	10,3	M14x70	2	art. 902IX Ø20	410 kg.
405IX.120x40	120 Tub. 40	6	33	Ø97	28	10,3	M14x70	2	art. 902IX Ø20	430 kg.
405IX.120x50	120 Tub. 50	6	43	Ø97	28	10,3	M14x70	2	art. 902IX Ø20	430 kg.
405IX.140	140 Tub. 50	4	43	Ø117	32	10,3	M16x70	2	art. 902IX Ø20	550 kg.

art. 407 IX

Ruota inox 2 cuscinetti gola V
Stainless steel wheel V groove 2 bearings
колесо v вырез 2 подшипника,
нержавеющая сталь

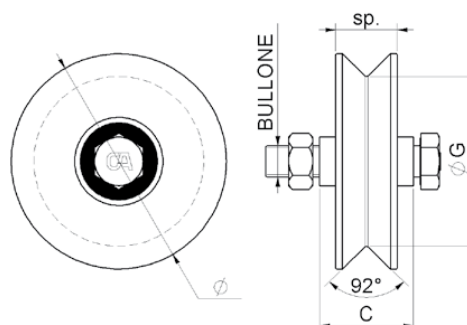
INOX



FISSARE



CUSCINETTO



cod.	Ø	pz/pcs	C	ØG	sp	bullone	cusc	portata
407IX.100x40	100 Tub. 40	6	33	Ø77	28	M14x70	2	410 kg.
407IX.100x50	100 Tub. 50	6	43	Ø77	28	M14x70	2	410 kg.
407IX.120x40	120 Tub. 40	6	33	Ø97	28	M14x70	2	430 kg.
407IX.120x50	120 Tub. 50	6	43	Ø97	28	M14x70	2	430 kg.
407IX.140	140 Tub. 50	4	43	Ø117	32	M16x70	2	550 kg.

art. 425 IX

Ruota inox 1 cuscinetto gola tonda supporto interno
Stainless steel wheel round groove
1 bearing with inside support
колесо с внутренней опорой круглый
вырез 1 подшипник, нержавеющая сталь

INOX



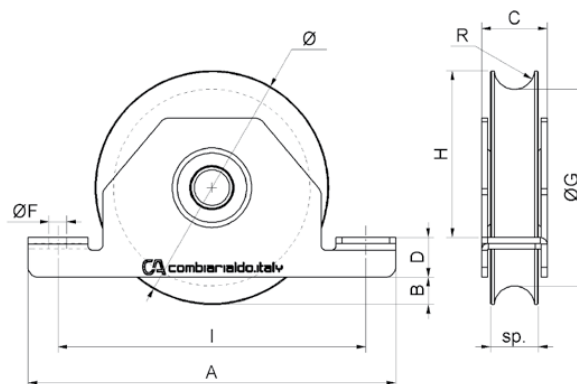
SALDARE



FISSARE



CUSCINETTO



cod.	Ø	pz/pcs	A	B	C	D	ØF	I	H	ØG	sp	R	cusc	binario	portata
425IX.80/16	80/16	4	135	12	33	17	Ø9	110	49	Ø64	20	8,3	1	art. 902IX Ø16	200 kg.
425IX.80/20	80/20	4	135	12	33	17	Ø9	110	49	Ø59	24	10,3	1	art. 902IX Ø20	200 kg.
425IX.90/20	90/20	6	155	9	33	18	Ø9	130	61	Ø69	24	10,3	1	art. 902IX Ø20	210 kg.
425IX.100/20	100/20	6	155	14	33	18	Ø9	130	66	Ø79	24	10,3	1	art. 902IX Ø20	230 kg.
425IX.120	120	6	185	14	32	20	Ø9	155	84	Ø99	24	10,3	1	art. 902IX Ø20	250 kg.

art. 425 NYIX

Ruota nylon 1 cuscinetto gola tonda supporto interno Inox
Nylon wheel round groove 1 bearing
with stainless steel inside support
Найлон колесо круглый вырез
с внутренней опорой из
нержавеющей стали 1 подшипник

INOX



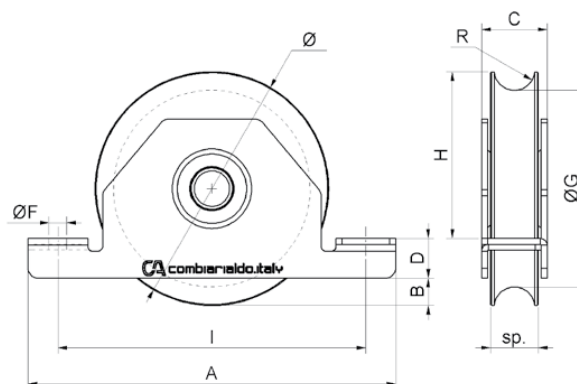
SALDARE



FISSARE



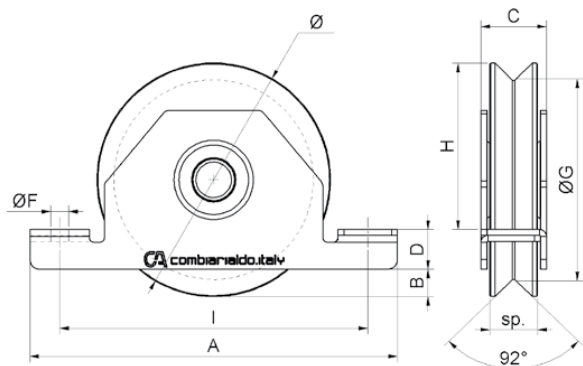
CUSCINETTO



cod.	Ø	pz/pcs	A	B	C	D	ØF	I	H	ØG	sp	R	cusc	binario	portata
425NYIX.80/16	80/16	4	135	12	33	17	Ø9	110	49	Ø64	24	8,3	1	art. 902IX Ø16	60 kg.
425NYIX.80/20	80/20	4	135	12	33	17	Ø9	110	49	Ø59	24	10,3	1	art. 902IX Ø20	70 kg.
425NYIX.100/20	100/20	6	155	14	33	18	Ø9	130	66	Ø79	24	10,3	1	art. 902IX Ø20	80 kg.

art. **427 IX**

Ruota inox 1 cuscinetto gola V supporto interno
Stainless steel wheel V groove
1 bearing with inside support
колесо с внутренней опорой в вырез
1 подшипник, нержавеющая сталь



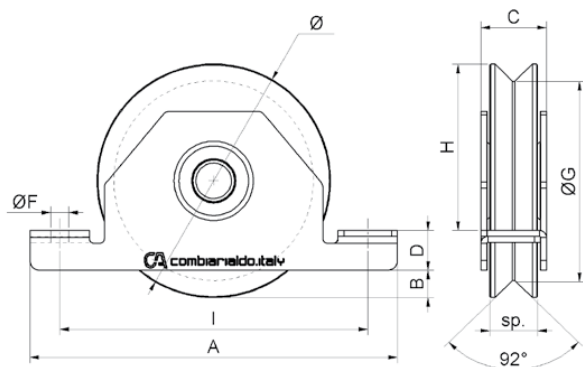
INOX



cod.	Ø	pz/pcs	A	B	C	D	ØF	I	H	ØG	sp	cusc	portata
427IX.80	80	4	135	12	33	17	Ø9	110	49	Ø62	20	1	200 kg.
427IX.90	90	6	155	9	33	18	Ø9	130	61	Ø72	21	1	210 kg.
427IX.100	100	6	155	14	33	18	Ø9	130	66	Ø82	21	1	230 kg.
427IX.120	120	6	185	14	32	20	Ø9	155	84	Ø100	24	1	250 kg.

art. **427 NYIX**

Ruota nylon 1 cuscinetto gola V
supporto interno Inox
Nylon wheel V groove 1 bearing
with stainless steel inside support
Найлон колесо V вырез с
внутренней опорой из
нержавеющей стали
с 1 подшипник



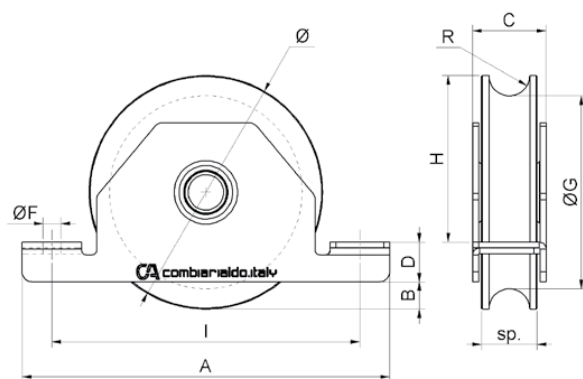
INOX



cod.	Ø	pz/pcs	A	B	C	D	ØF	I	H	ØG	sp	cusc	portata
427NYIX.80	80	4	135	12	33	17	Ø9	110	49	Ø62	24	1	60 kg.
427NYIX.100	100	6	155	14	33	18	Ø9	130	66	Ø82	24	1	80 kg.

art. **430 IX**

Ruota inox 2 cuscinetti gola
tonda supporto interno
Stainless steel wheel round groove
2 bearings with inside support
колесо с внутренней опорой круглый
вырез 2 подшипника, нержавеющая сталь



INOX

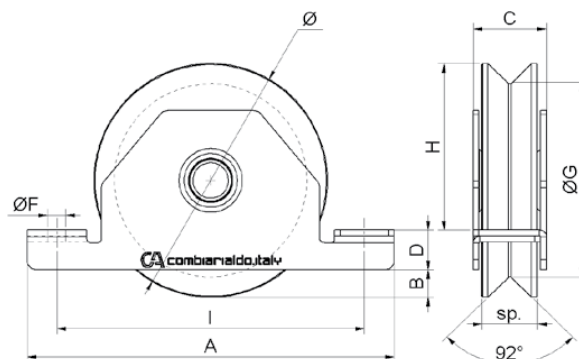


cod.	Ø	pz/pcs	A	B	C	D	ØF	I	H	ØG	sp	R	cusc	binario	portata
430IX.90	90	6	155	9	33	18	Ø9	130	61	Ø71	24	10,3	2	art. 902IX Ø20	390 kg.
430IX.100	100	6	155	14	33	18	Ø9	130	66	Ø77	24	10,3	2	art. 902IX Ø20	410 kg.
430IX.120	120	4	185	14	37	20	Ø9	155	84	Ø97	28	10,3	2	art. 902IX Ø20	430 kg.

art. 432 IX

Ruota inox 2 cuscinetti gola V supporto interno
Stainless steel wheel V groove
2 bearings with inside support
колесо с внутренней опорой в вырез
2 подшипника, нержавеющая сталь

INOX

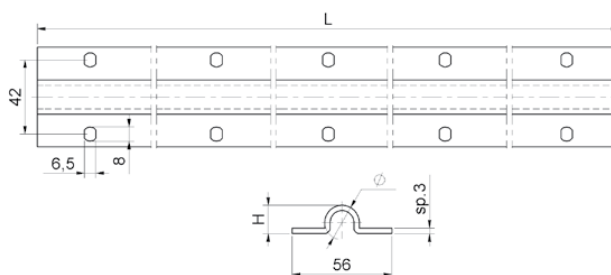


cod.	Ø	pz/pcs	A	B	C	D	ØF	I	ØG	H	sp	cusc	portata
432IX.90	90	6	155	9	33	18	Ø9	130	Ø70	61	24	2	390 kg.
432IX.100	100	6	155	14	33	18	Ø9	130	Ø77	66	24	2	410 kg.
432IX.120	120	4	185	14	37	20	Ø9	155	Ø97	84	28	2	430 kg.

art. 902 IX

Binario T
Stainless steel round surface track
направляющая круглая под болт,
нержавеющая сталь

INOX

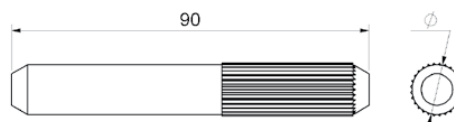


cod.	Ø	pz/pcs	Ø	L	H	asole
902IX.16x3	16 - 3 m.	10	Ø16	3000	13	nr. 9+9
902IX.16x6	16 - 6 m.	10	Ø16	6000	13	nr. 17+17
902IX.20x3	20 - 3 m.	10	Ø20	3000	16	nr. 9+9
902IX.20x6	20 - 6 m.	10	Ø20	6000	16	nr. 17+17

art. 901 IX

Stainless steel Joint pin for surface round track
Соединительный штифт из
нержавеющей стали для круглой
направляющей

INOX



cod.	Ø	pz/pcs	binario
901IX.9	9	30	art. 902IX Ø16
901IX.13	13	30	art. 902IX Ø20